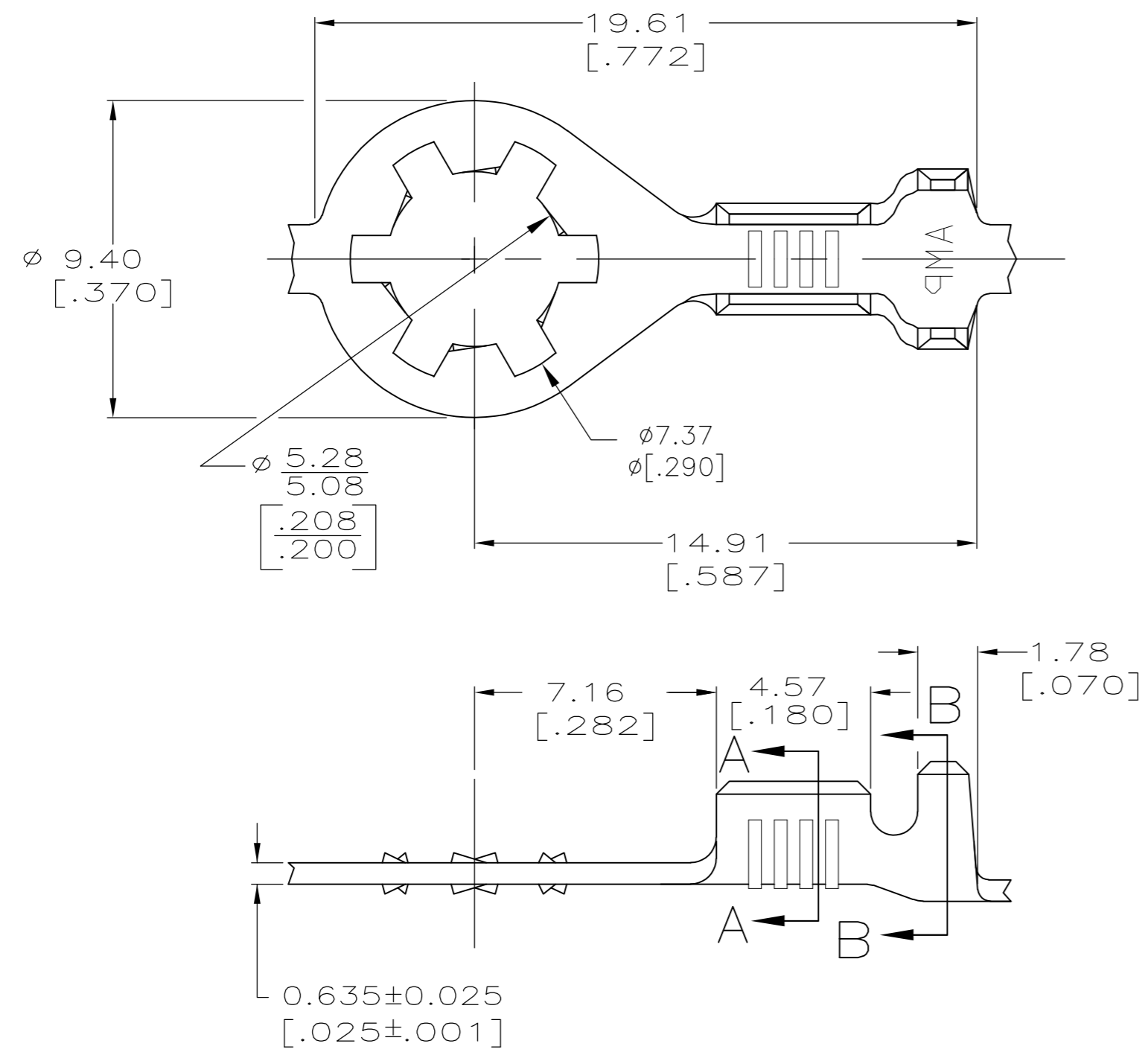
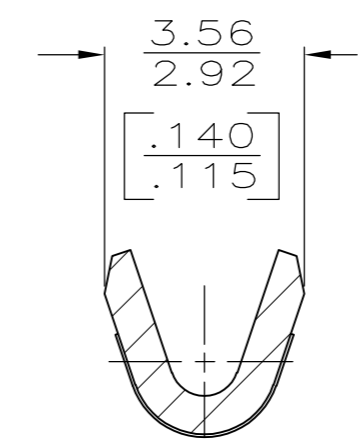


THIS DRAWING IS UNPUBLISHED. RELEASED FOR PUBLICATION
 © COPYRIGHT BY TYCO ELECTRONICS CORPORATION. ALL RIGHTS RESERVED.

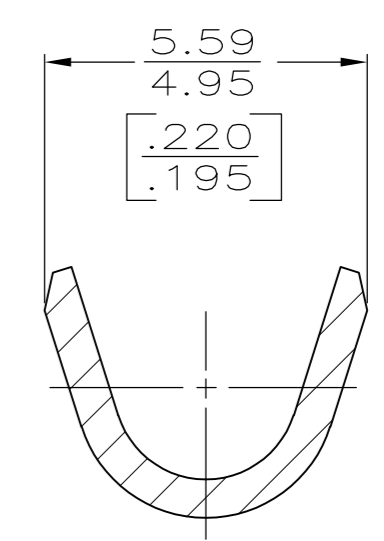
| LOC | DIST | REVISIONS | | | |
|-----|------|---------------------------|---------|--------|------|
| P | LTR | DESCRIPTION | DATE | DWN | APVD |
| | G1 | REVISED PER ECR-08-007950 | 10APR08 | HMR | DD |
| | G2 | REVISED PER ECR-14-016318 | 03NOV14 | L.P.T. | T.D. |



- 1 CONTINUOUS STRIP ON REELS.
- 2 0.02032 [0.00080] MIN BRIGHT TIN PLATE OVER 0.0127 [0.00050] MIN NICKEL UNDERPLATE.
- 3 WIRE RANGE: 0.3-0.8mm² [22-18] AWG.
- 4 INSULATION RANGE: 2.03-3.05 [0.080-.120] DIA.
- 5 0.02032 [0.00080] MIN TIN PLATE.
- 6 PREPRODUCTION - F.A.S.R. REQUIRED.
- 7 SUBSTITUTED BY P/N 640271-3



SECTION A-A
SCALE 8:1



SECTION B-B
SCALE 8:1

| TYPE | WIDTH | STRIP LENGTH ±0.38 [±0.015] | TYPE | WIDTH | ±0.051 [±0.002] HEIGHT | WIRE |
|--------------------|--------------|-----------------------------|-------------------|--------------|------------------------|-------------------------|
| F or O | 4.57 [0.180] | 6.35 [0.250] | F | 2.54 [0.100] | 1.75 [0.069] | 0.8mm ² [18] |
| | | | | | 1.65 [0.065] | 0.5mm ² [20] |
| | | | | | 1.60 [0.063] | 0.3mm ² [22] |
| INSUL BARREL CRIMP | | | WIRE BARREL CRIMP | | | |

| | |
|------------|-------------|
| 5 | 640271-3 |
| | - |
| 7 OBSOLETE | 2 640271-1 |
| FINISH | PART NUMBER |

THIS DRAWING IS A CONTROLLED DOCUMENT.

| | | | |
|------------|---------------|------------------|---|
| DWN | 02MAY2003 | MICHAEL S. FEHER | Tyco Electronics Corporation Harrisburg, PA 17105-3608 |
| CHK | 02MAY2003 | D.F. DECKER | |
| APVD | 02MAY2003 | D.F. DECKER | NAME |
| | | | PRODUCT SPEC |
| | | | APPLICATION SPEC |
| | | | WEIGHT |
| MATERIAL | #2 HARD STEEL | FINISH | SEE TABLE |
| SIZE | | A2 | RESTRICTED TO |
| CAGE CODE | | 00779 | |
| DRAWING NO | | C=640271 | |
| SCALE | | 6:1 | |
| SHEET | | 1 of 1 | |
| REV | | G2 | |